

# AIR FILTRATION

## SYSTEM SOLUTIONS



### EXHAUST HOODS / NOZZLE PLATES

#### CONSTRUCTION

Nozzle plates are constructed by solid welding and completely folded sheet steel. They are prepared to mount welder protection curtains (accessory).

Contain integrated exhaust nozzles and flange connections.  
Paint Finish RAL 7035 light grey.

As an example, mounting of the nozzle plates takes effect by means of thread rods top or by means of support down.



#### ADVANTAGES

- simple and light steel construction
- flat and therefore space-saving
- cost-efficient
- low weight
- easy installation
- efficient and high-performance by nozzle technology
- easy to install attachments of welding curtains available as an option

Suction velocity below the hood area (depending on local conditions: application, cross flow, fume quantity, etc.) is between 20 fpm and 200 fpm. This is to be individually designed for on site.



#### VERSIONS

The nozzle is very versatile and a variety of configurations are possible.

For example, the nozzle hood can be placed on rails to allow free access during use of overhead cranes for loading/unloading procedures.

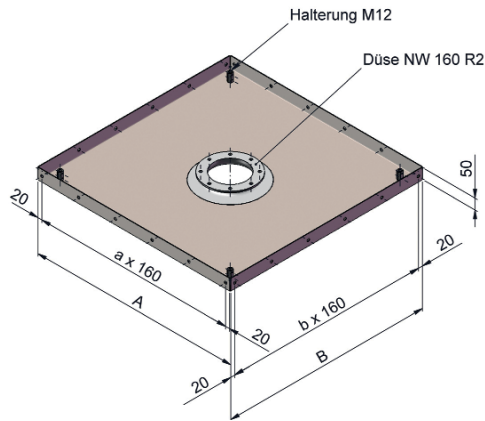


# AIR FILTRATION

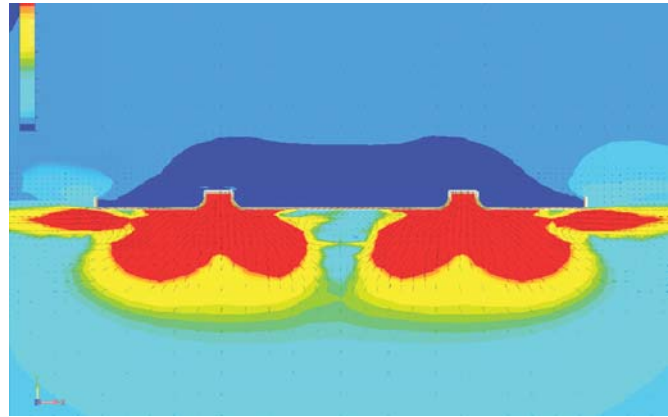
## SYSTEM SOLUTIONS



### TECHNICAL DATA



### AIR FLOW SIMULATIONS



Nozzles			33" x 33"	70" x 33"	108" x 33"	151" x 33"
Area		ft <sup>2</sup>	8	16	25	35
Nozzles		pcs.	1	2	3	4
		Diameter	6"	6"	6"	6"
Air volume <sup>1)</sup>	at 20 fpm	cfm	160	320	500	700
	at 60 fpm	cfm	480	960	1500	2100
	at 100 fpm	cfm	800	1600	2500	3500
Width	A	in	33"	33"	33"	33"
Length	B	in	33"	70"	108"	151"
Weight		lbs	29	60	90	126

<sup>1)</sup> The airflow requirement depends on the application as well as the ambience.

### REFERENCES

- Audi, Neckarsulm, Germany
- Erhard Automotive, Schwäbisch Gmünd, Germany
- Intier (Magna), Tschechien
- Jakob, Ennepedal, Germany
- Keller Lufttechnik, Kirchheim u. Teck, Germany
- Komline Sanderson, USA
- Kuka, Augsburg, Germany
- Zehnder, Lahr, Germany



Keller USA, Inc.  
 2168 Carolina Place Drive  
 Fort Mill, SC 29708 USA  
 Phone (803) 396-2000 . Fax (803) 396-2905  
 E-mail: info@kellerusa.com  
 www.kellerusa.com